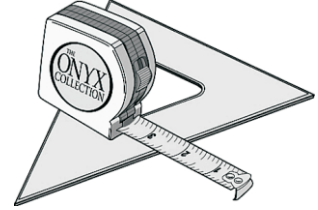
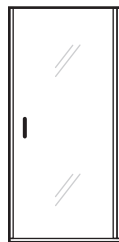


Included in this section:**INFORMATION & SIZING**

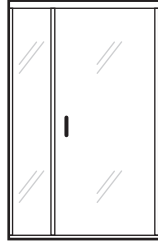
- ◆ Common Terms and Definitions
- ◆ How to Measure for Straight Showers
- ◆ How to Measure for Showers with Half Walls or Benches
- ◆ How to Find the Centerline of Corner Shower Curbs
- ◆ How to Determine Angles on Corner Showers

**SEMI-FRAMELESS DOORS**

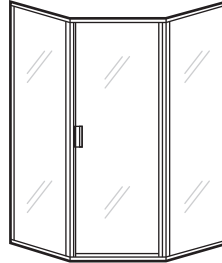
- ◆ Single Door
- ◆ Door with Panel
- ◆ Neo Angle
- ◆ Dual Curb
- ◆ Bench Seat Showers



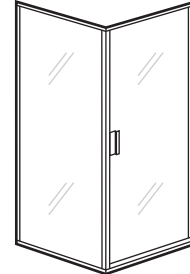
Page 4



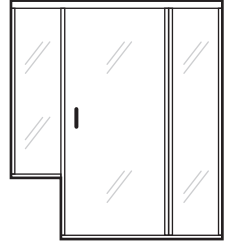
Page 6



Page 10



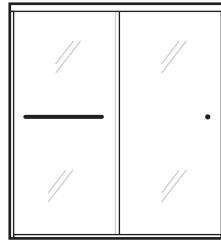
Page 12



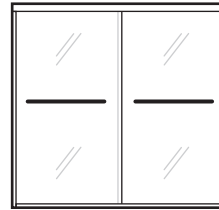
Page 7 & 9

By-Pass SLIDING DOORS

- ◆ Full Height for Showers
- ◆ Special Height for Tubs
- ◆ Bench Seat Showers



Page 14



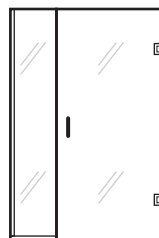
Page 16

**3/8" Glass - FULLY FRAMELESS**

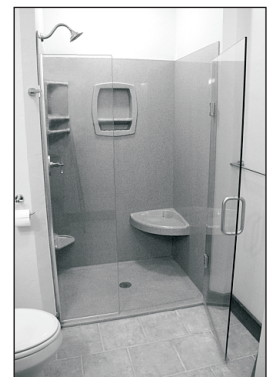
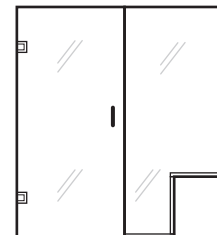
- ◆ Single Door
- ◆ Door with Panel
- ◆ Bench Seat Showers



Page 18



Page 18



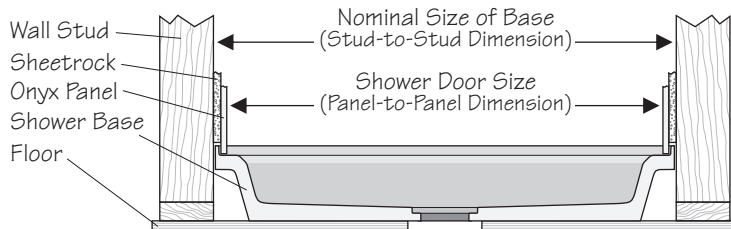
SHOWER DOORS - Sizing & Installation

See the **STANDARD SHOWER** section for Base, Walls and Door Kit pricing
 USE THE STANDARD or CUSTOM "SHOWER DOOR" ORDER FORMS TO ORDER ANYTHING IN THIS SECTION

- KEY:**
- ◆ **Level** - Being on a plane parallel to the horizon with no part higher than another
 - ◆ **Plumb** - Being perpendicular, or straight up, from the horizontal plane
 - ◆ **Centerline** - The line that divides the Shower Curb along which the glass panes will be positioned
 - ◆ **Lite** - Industry term for a Glass Panel
 - ◆ **Return Panel** - A Glass Panel that goes away from the front of the Shower
 - ◆ **Frameless Door** - Door Lite has no metal framing
 - Side Lites have framing on bottom and wall sides
 - ◆ **Semi-Frameless Door** - Door Lite has metal framing on hinge side only
 - Side Lites are framed on all sides

SHOWER DOOR SIZING - General

- ▶ When ordering a Door for any of our **Standard Showers**, simply state the size of the Shower Base as given in the catalog (for example, 36" x 36" Low Profile, or 36" x 32" Regular Profile).
- ▶ When ordering a Door for one of our **Custom Showers**, please issue a **SEPARATE Purchase Order #**, and include the Shower Base Order number on the Door Order Form as well.
- ▶ If ordering a Door for a **Shower not made by us**, specify if you are providing the Stud-to-Stud dimension (if not using our panels, specify panel/tile thickness), or the dimension between the finished walls (see drawing below).



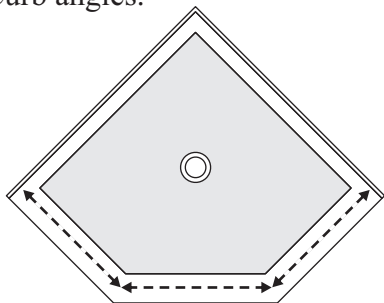
Subtract Sheetrock thickness (x2) + Panel thickness (x2) from Stud-to-Stud Dimension to determine Shower Door Width (Measure at the base and at 6' to make sure the walls are straight)

Measuring for Shower Doors

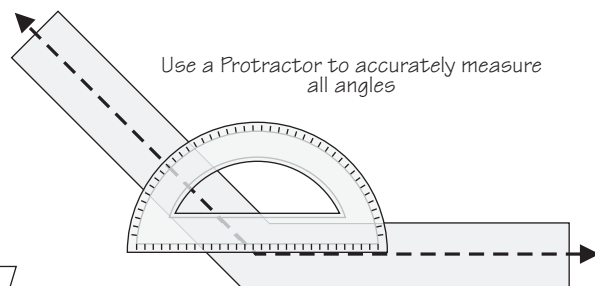
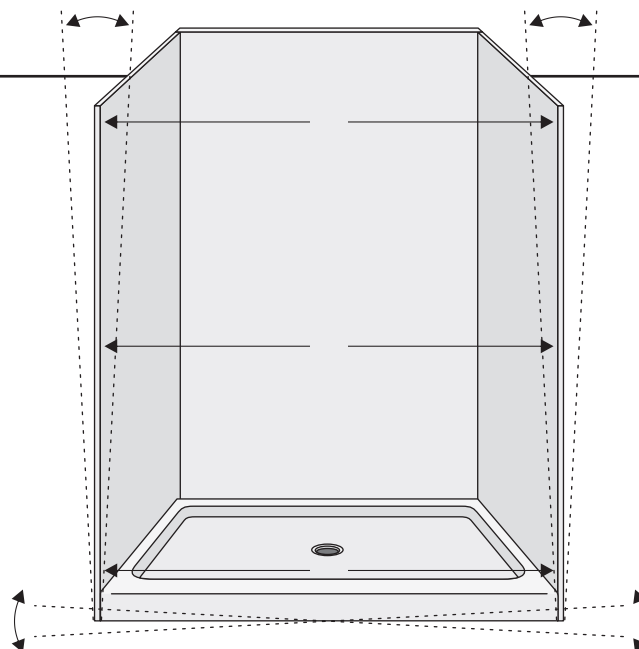
- ▶ Measure at the **BASE** of the opening.
- ▶ Measure **HALF WAY** between the base and the top.
- ▶ Measure at the **TOP** of the opening.
- ▶ Make sure Shower Base is level.
- ▶ Check the Side Walls for plumb.

For ANGLED CURB Showers

- ▶ Give the Centerline dimensions of the Angled Curb.
- ▶ Provide all Curb angles.



The Centerline is an imaginary line that divides the Shower Curb, along which the glass panes will be positioned.



See the **Ordering & Design Forms** section for Measuring Work Sheets

SHOWER DOORS - Sizing & Installation

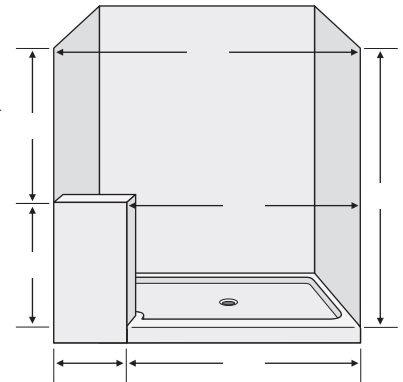
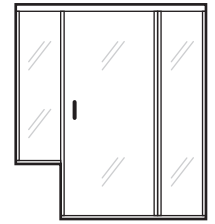
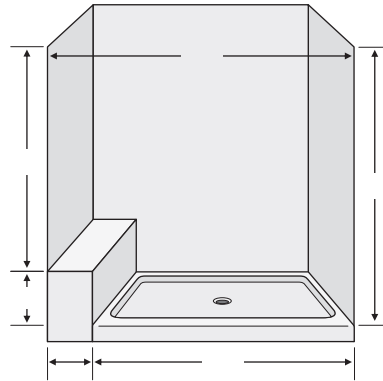
See the STANDARD SHOWER section for Base, Walls and Door Kit pricing

USE THE STANDARD or CUSTOM "SHOWER DOOR" ORDER FORMS TO ORDER ANYTHING IN THIS SECTION

Measuring for HALF WALLS and BENCHES

Straight Line Shower Door

- ▶ Make sure the Shower Base is level
- ▶ Check Half Wall for Level (left/right)
- ▶ Check the Side Walls for plumb
- ▶ Measure the opening just above the Shower Base
- ▶ Measure the opening at the top of the Shower
- ▶ Measure just above the top of the Bench or Wall
- ▶ Measure Bench Seat slope (left/right)

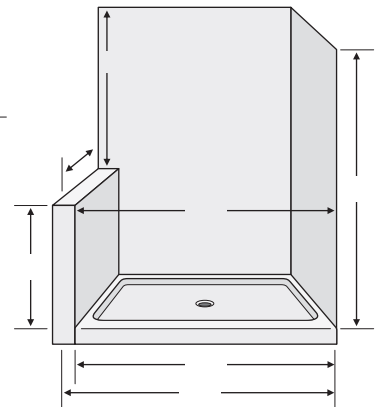
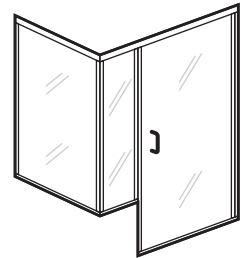
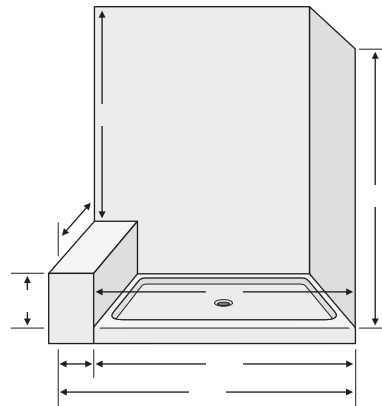


See the Ordering & Design Forms section for Measuring Work Sheets

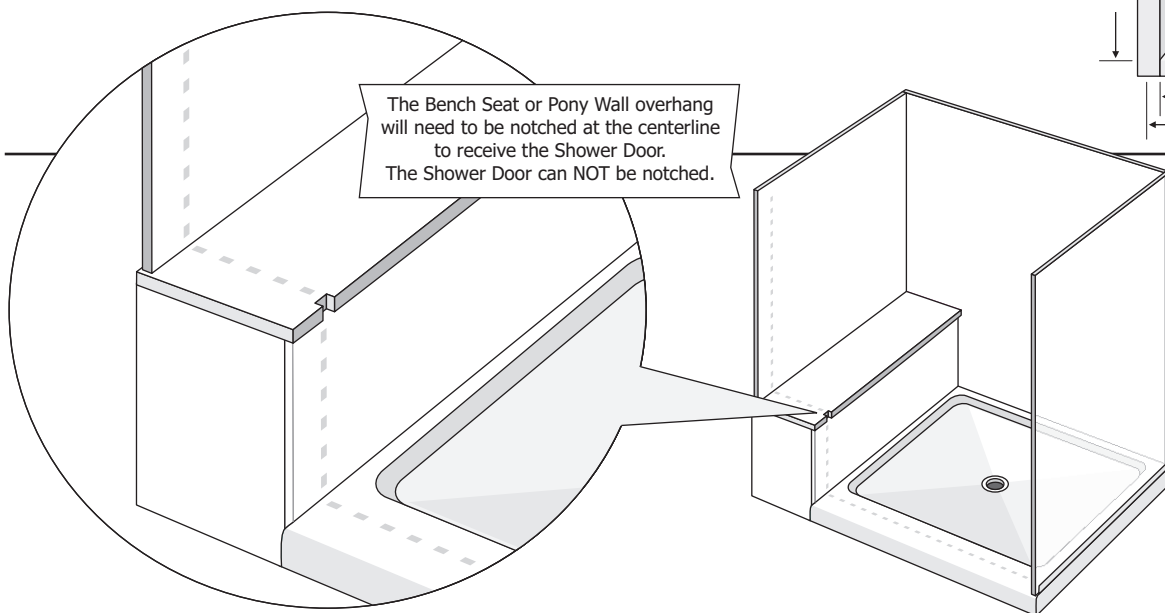
Measuring for HALF WALLS and BENCHES

Shower Door with Return Panel

- ▶ Make sure the Shower Base is level
- ▶ Check Half Wall for Level (left/right & front/back)
- ▶ Check the Back and Side Walls for plumb
- ▶ Measure the opening just above the Shower Base
- ▶ Measure just under the top of the Bench or Wall
- ▶ Measure for the Centerline of where the glass will sit along the Half Wall or Bench
- ▶ Measure Bench Seat slope (left/right & front/back)



The Bench Seat or Pony Wall overhang will need to be notched at the centerline to receive the Shower Door. The Shower Door can NOT be notched.



Straight Curb Shower Measuring Guide For Shower Doors

Left Wall Leans

In Out

”

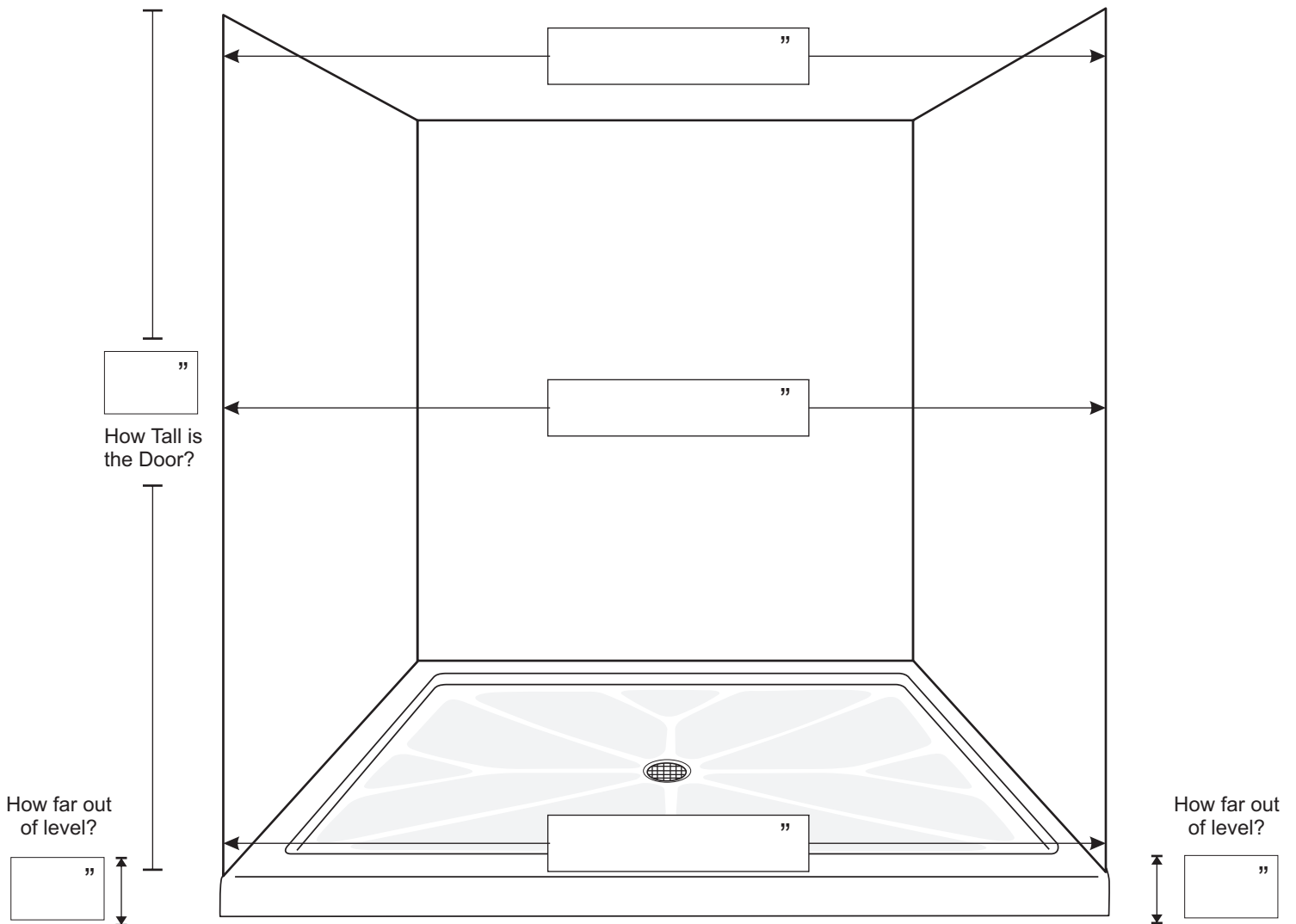
How Much
does it Lean?

Right Wall Leans

In Out

”

How Much
does it Lean?



How far out
of level?

”

How far out
of level?

”

Base Level

- Left Side Low
- Left Side High

Base Level

- Right Side Low
- Right Side High

Double Curb Shower Measuring Guide For Shower Door

Left Wall Leans

In Out

How Much
does it Lean?

 "

How Tall is
the Door?

 "

Base Level
Low Side
High Side

How for out
of level is
the base?

 "

Angle

 °

Wall to Center Line
Of Curb

Wall to Center Line
Of Curb

Angle

 °

Right Wall Leans

In Out

How Much
does it Lean?

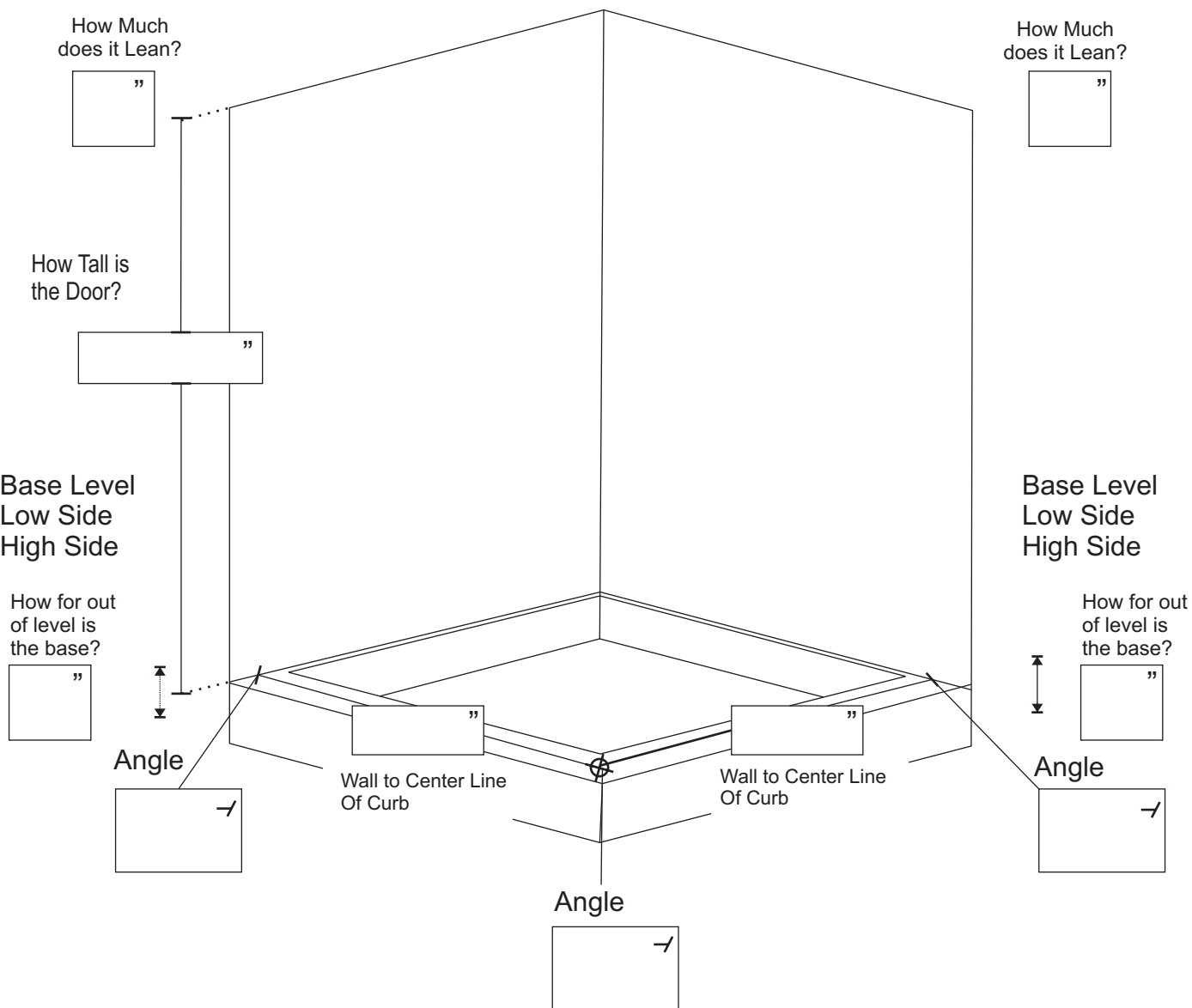
 "

Base Level
Low Side
High Side

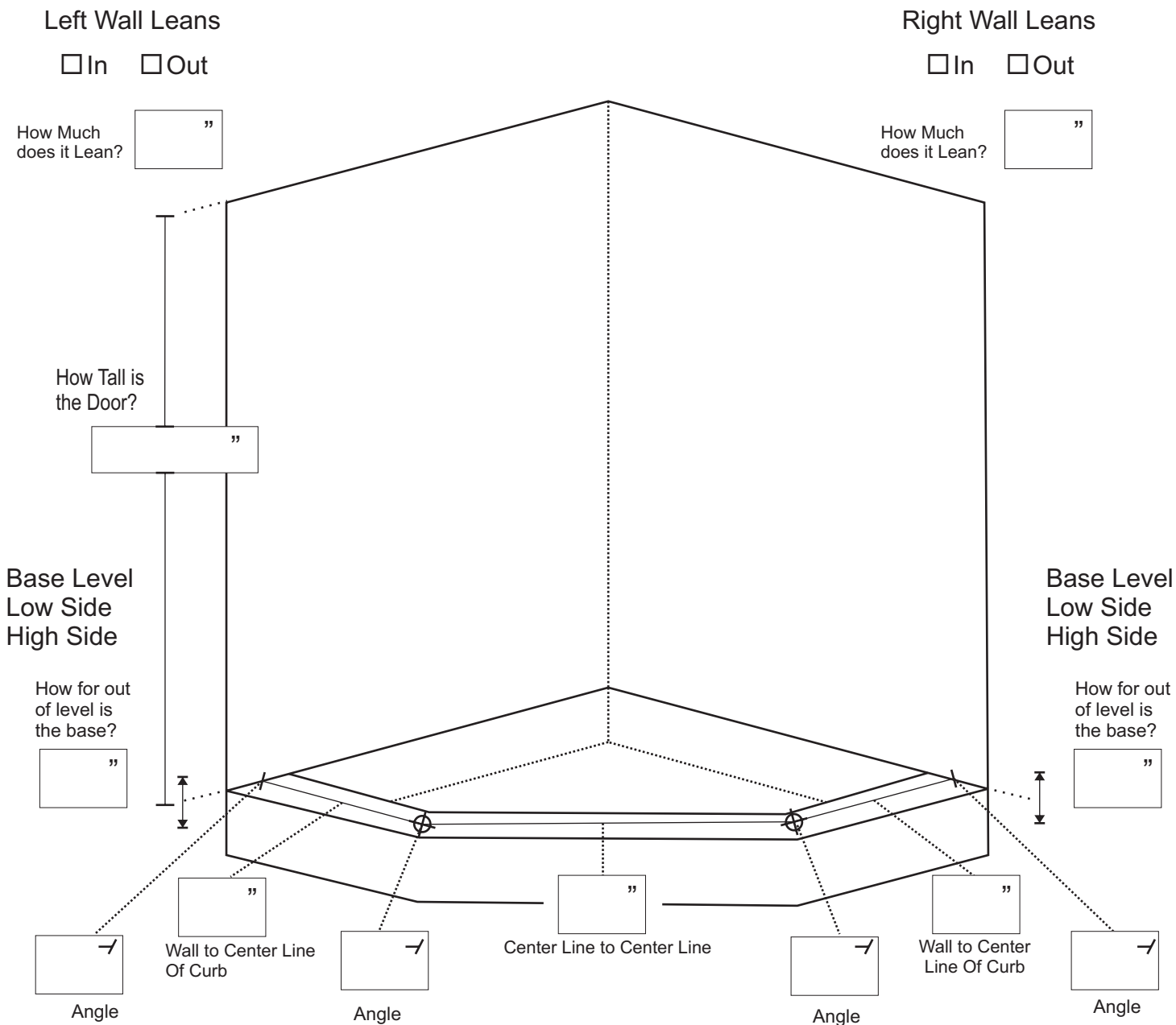
How for out
of level is
the base?

 "

Angle

 °


Three Sided Curb Shower Measuring Guide For Shower Door



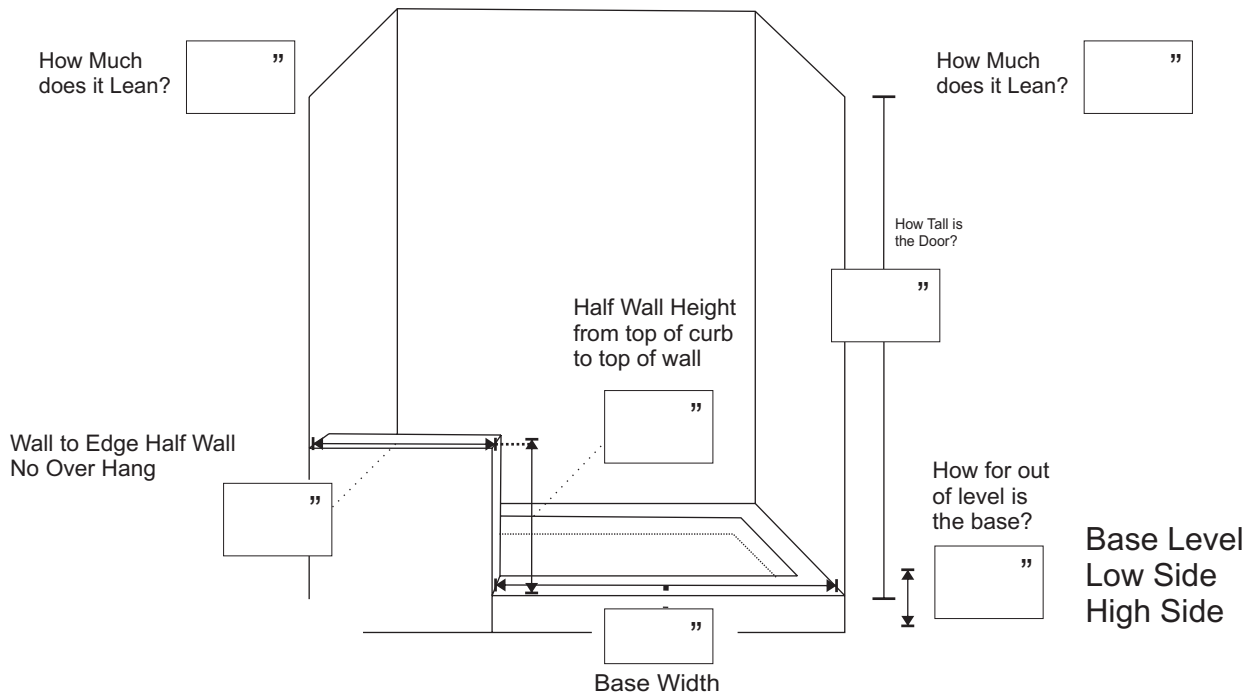
Single Curb w/ Inline Buttress Shower Measuring Guide For Shower Door

Left Wall Leans

In Out

Right Wall Leans

In Out

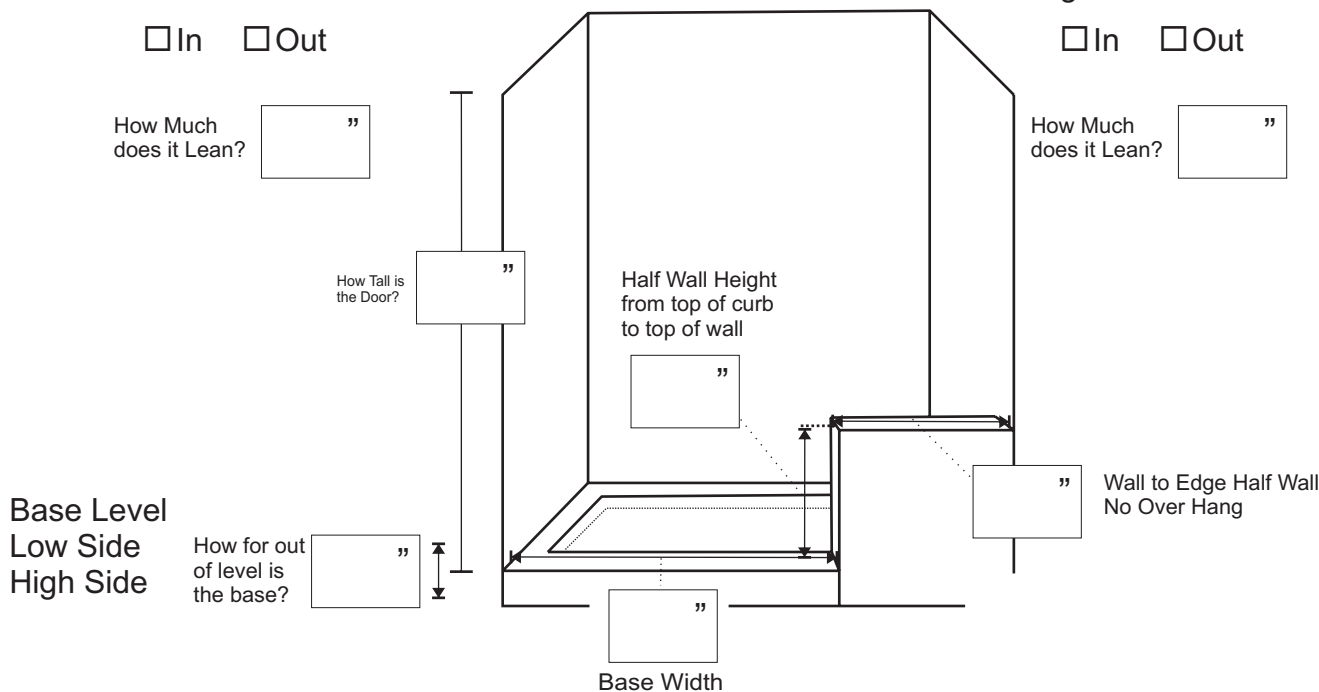


Left Wall Leans

In Out

Right Wall Leans

In Out



Single Curb Shower w/ Buttress Return Measuring Guide For Shower Door

Left Wall Leans

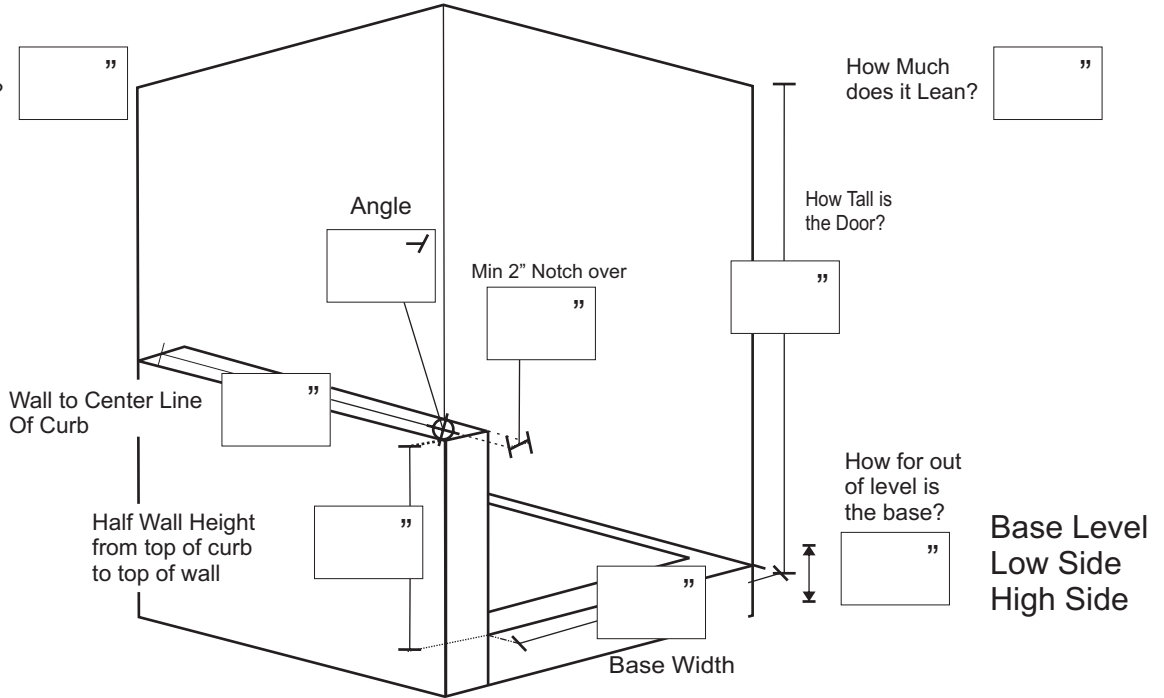
In Out

Right Wall Leans

In Out

How Much
does it Lean?

How Much
does it Lean?



Left Wall Leans

In Out

Right Wall Leans

In Out

How Much
does it Lean?

How Much
does it Lean?

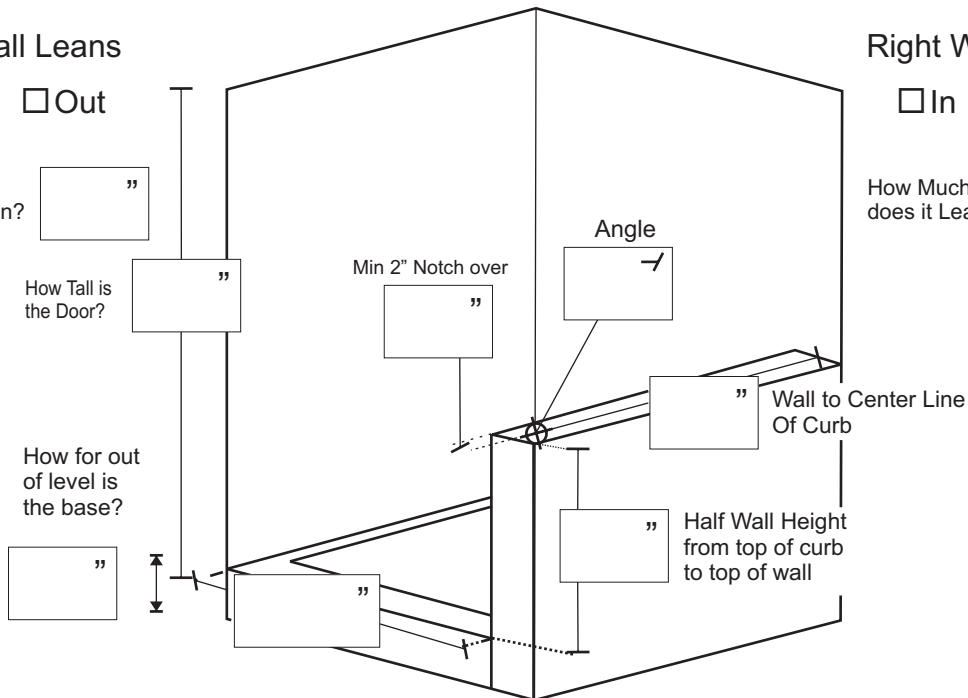
How Tall is
the Door?

Min 2" Notch over

Angle

How for out
of level is
the base?

Base Level
Low Side
High Side

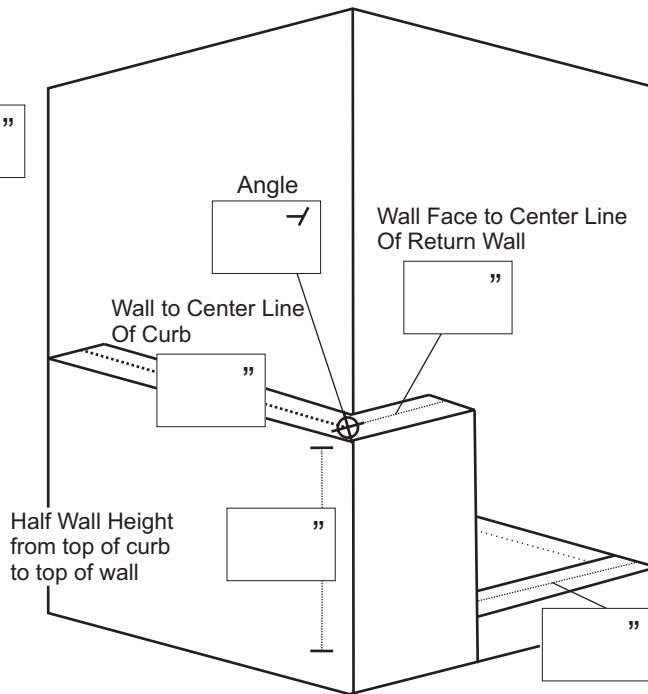


Single Curb Shower w/ Inline Buttress and Return Measuring Guide

Left Wall Leans

In Out

How Much does it Lean? "



Right Wall Leans

In Out

How Much does it Lean? "

" How Tall is the Door?

Base Level
Low Side
High Side

How for out of level is the base? "



"

Left Wall Leans

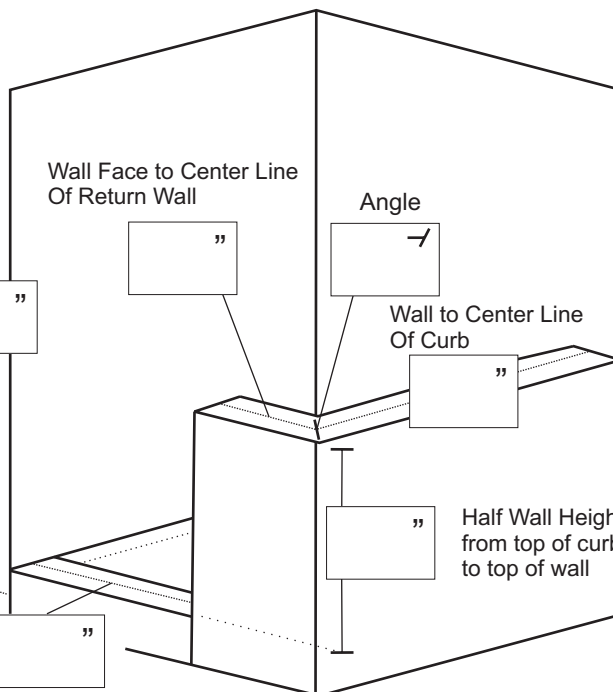
In Out

How Much does it Lean? "

How Tall is the Door? "

Base Level
Low Side
High Side

How for out of level is the base? "



Right Wall Leans

In Out

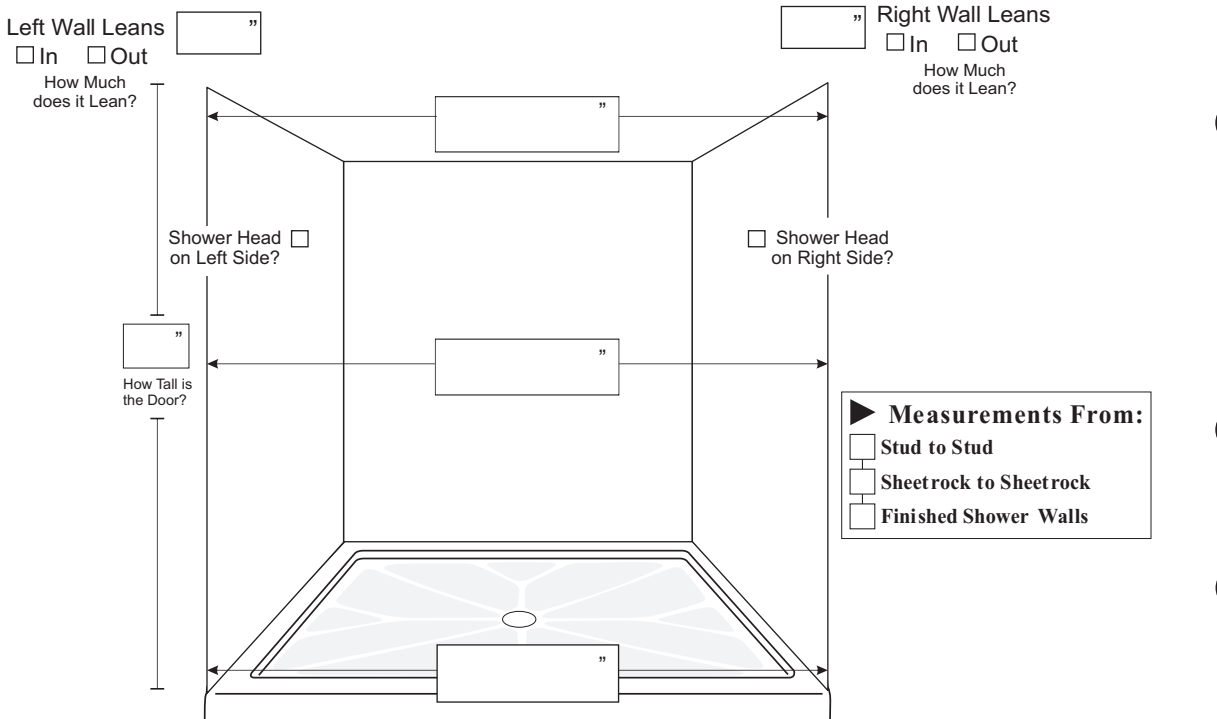
How Much does it Lean? "

" Half Wall Height from top of curb to top of wall

Your Company: _____ SEPARATE P.O.# _____

Your Name: _____ Your Phone # _____ Your Fax # _____

Date Ordered: ____/____/____ Install Date: ____/____/____ Customer Name: _____



- DOOR OPTIONS -
PLEASE see catalog for pricing and availability

- 1 DOOR HEIGHT**
- Standard Height
 - SPECIAL HEIGHT

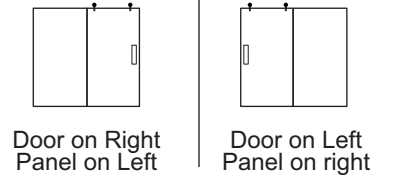
 See catalog for upcharge if taller than normal height

- 2 FINISH OPTIONS**
- SILVER FINISH
 - BRUSHED NICKEL
 - OIL RUBBED BRONZE

- 3 GLASS STYLE**
- CLEAR
 - AQUATEX
 - RAIN
 - PATTERN 62
 - SATIN
 - SMOKED GREY
 - SMOKED BRONZE

BARN DOOR - 3/8" Frameless Glass Only
Standard Height 73 3/4" Tall (Max Height 80")

Please **CIRCLE** Door/Handle Configuration



- Handles:**
- Pull Handle both sides

TOTAL PRICE
\$ _____

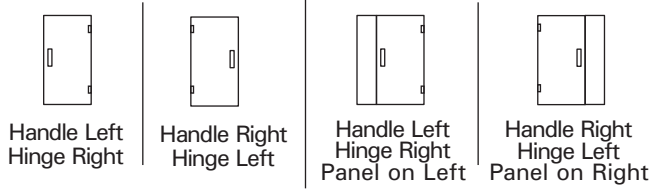
HINGED DOOR **3/8" Frameless Glass**
Standard Height 72" Tall (Max Height 80")

1/4" Semi-Frameless Glass
Standard Height 73 3/4" Tall (Max Height 78")

SINGLE DOOR - Up To 36" Wide

DOOR WITH PANEL

Please **CIRCLE** Door/Handle Configuration

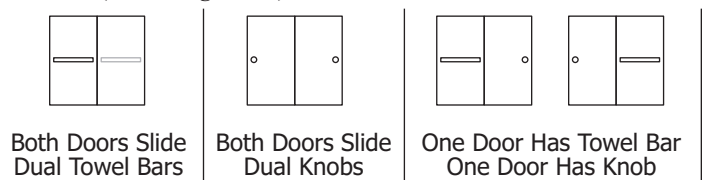


- Handles:**
- Pull Handle both sides
 - Pull Handle with Towel Bar
See catalog for up charge

- Doors:**
- 28" St.d. Wide Door
 - Custom Door Size Up to 36"
See catalog for up charge
- _____"

BYPASS SLIDING DOOR - Frameless Glass 1/4"
Standard Height 73 3/4" Tall (Max Height 76")

Please **CIRCLE** Door/Handle Configuration

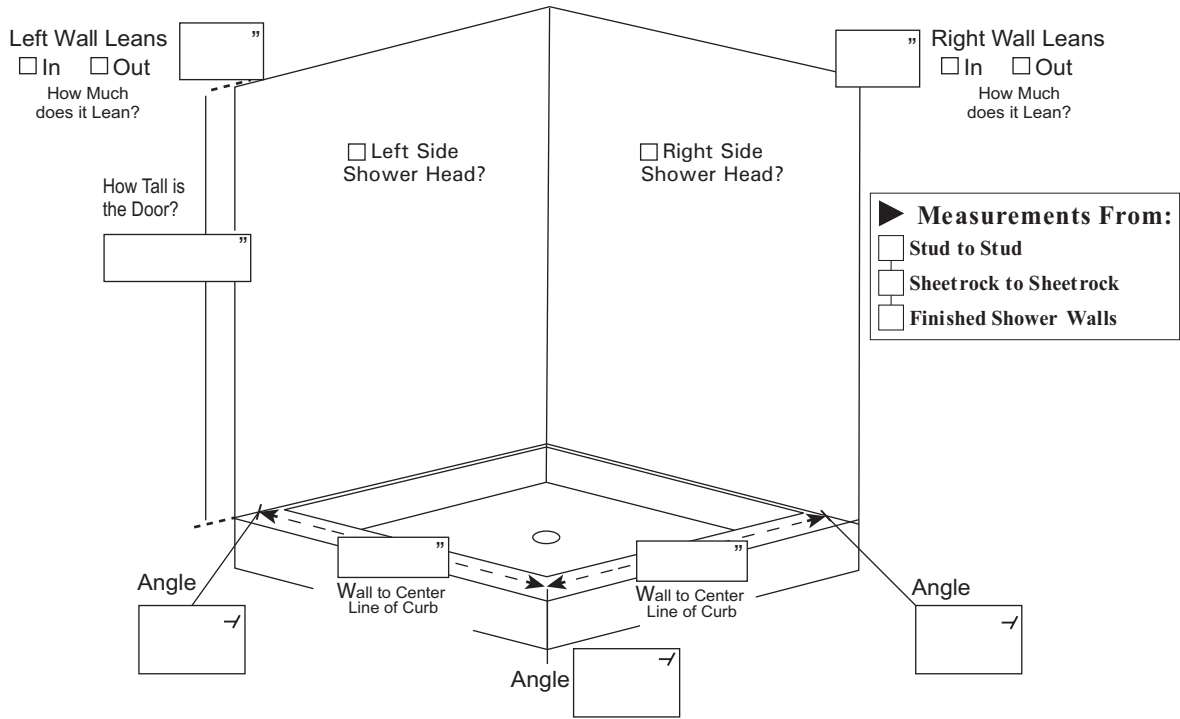


- Handles:**
- Two Towel Bars
 - Two Knobs
 - Towel Bar & Knob
 - Knob on LEFT or RIGHT
- Panel on Left Side
- Panel on Right Side

Your Company: _____ SEPARATE P.O.# _____

Your Name: _____ Your Phone # _____ Your Fax # _____

Date Ordered: ____/____/____ Install Date: ____/____/____ Customer Name: _____



- DOOR OPTIONS -
PLEASE see catalog for pricing and availability

1 DOOR HEIGHT

Standard Height

SPECIAL HEIGHT

See catalog for upcharge if taller than normal height

2 FINISH OPTIONS

SILVER FINISH

BRUSHED NICKEL

OIL RUBBED BRONZE

3 GLASS STYLE

CLEAR

AQUATEX

RAIN

PATTERN 62

SATIN

SMOKED GREY

SMOKED BRONZE

BARN DOOR - 3/8" Frameless Glass Only
Standard Height 73 3/4" Tall (Max Height 80")

Please **CIRCLE** Door/Handle Configuration

Door on Right Panel on Left Return on Left
 Door on Left Panel on right Return on Left
 Door on Left Panel on Panels Return on Right
 Door on Right Panel on Left Return on Right

Handles:
 Pull Handle both sides

TOTAL PRICE
\$ _____

HINGED DOOR **3/8" Frameless Glass or** **1/4" Semi-Frameless Glass**
Standard Height 72" Tall (Max Height 80") Standard Height 73 3/4" Tall (Max Height 80")

SINGLE DOOR - Up To 36" Wide | **DOOR WITH PANEL - Up To 36" Wide**

Please **CIRCLE** Door/Handle Configuration

Handle Left Hinge Right
 Handle Right Hinge Left
 Handle Right Hinge Left Panel on Right
 Handle Left Hinge Right Panel on Left

Handles:
 Pull Handle both sides
 Pull Handle with Towel Bar See catalog for up charge

Doors:
 28" Std. Wide Door
 Custom Door Size Up to 36" See catalog for up charge

_____"

BYPASS SLIDING DOOR - Frameless Glass **1/4" or** **3/8"**
Standard Height 73 3/4" Tall (Max Height 76")

Please **CIRCLE** Door/Handle Configuration

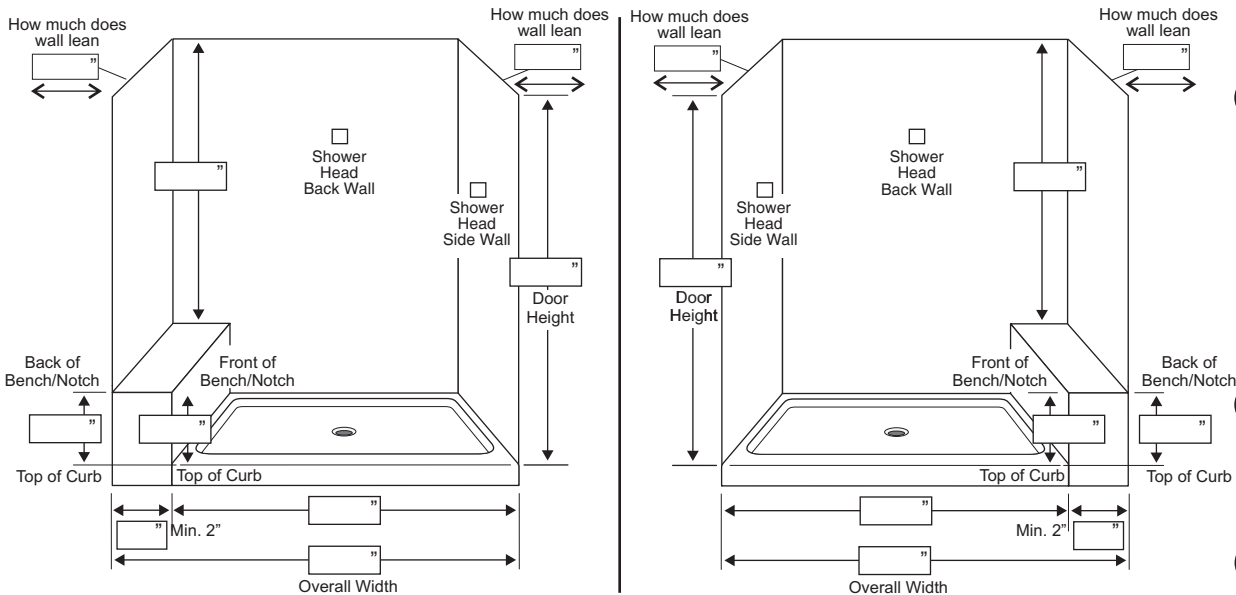
Return on Left
 Extended Panel Return on Left
 Return on Right
 Extended Panel Return on Right
 Return on Left Side
 Return on Right Side

Handles:
 Two Towel Bars
 Two Knobs
 Towel Bar & Knob
 Knob on LEFT or RIGHT

Your Company: _____ SEPARATE P.O.# _____

Your Name: _____ Your Phone # _____ Your Fax # _____

Date Ordered: ____/____/____ Install Date: ____/____/____ Customer Name: _____



► Measurements From Finished Shower Walls

- DOOR OPTIONS -
PLEASE see catalog for pricing and availability

1 DOOR HEIGHT

Standard Height

SPECIAL HEIGHT

See catalog for upcharge if taller than normal height

2 FINISH OPTIONS

SILVER FINISH

BRUSHED NICKEL

OIL RUBBED BRONZE

3 GLASS STYLE

CLEAR

AQUATEX

RAIN

PATTERN 62

SATIN

SMOKED GREY

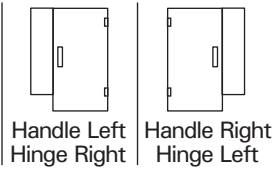
SMOKED BRONZE

HINGED DOOR - 3/8" Frameless Glass

DOOR AND PANEL
Standard Height 72" Tall (Max Height 80")

DOOR WITH NOTCHED PANEL
Standard Height 72" Tall (Max Height 80")

Please CIRCLE Door/Handle configuration



► Handles:

- Pull Handle both sides
- Pull Handle with Towel Bar

- 28" Std. Wide Door
- Custom Door Size Up to 36"
- See catalog for up charge

TOTAL PRICE

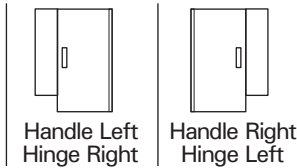
\$

HINGED DOOR - 1/4" Semi-Frameless Glass

SINGLE DOOR - Up To 36" Wide
Standard Height 73 3/4" Tall (Max Height 78")

DOOR WITH PANEL - Up To 36" Wide
Standard Height 73 3/4" Tall (Max Height 78")

Please CIRCLE Door/Handle configuration



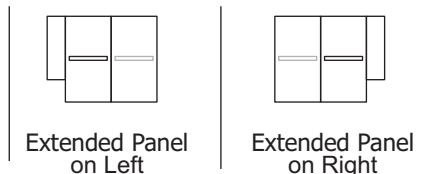
► Handles:

- Pull Handle both sides
- Pull Handle with Towel Bar
- See catalog for up charge

- 28" Std. Wide Door
- Custom Door Size Up to 36"

BYPASS SLIDING DOOR - Frameless Glass 1/4"

Please CIRCLE Door/Handle configuration



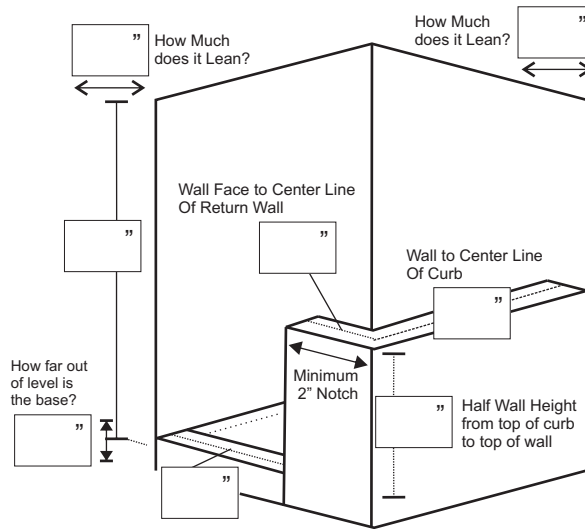
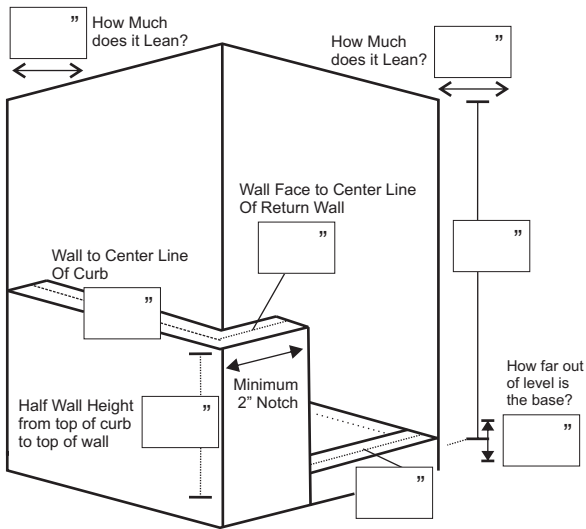
► Handles:

- Two Towel Bars
- Two Knobs
- Towel Bar & Knob
- Knob on LEFT or RIGHT

Your Company: _____ SEPARATE P.O.# _____

Your Name: _____ Your Phone # _____ Your Fax # _____

Date Ordered: ____/____/____ Install Date: ____/____/____ Customer Name: _____



- DOOR OPTIONS -
PLEASE see catalog for pricing and availability

1 DOOR HEIGHT

Standard Height

SPECIAL HEIGHT

See catalog for upcharge if taller than normal height

2 FINISH OPTIONS

SILVER FINISH

BRUSHED NICKEL

OIL RUBBED BRONZE

3 GLASS STYLE

CLEAR

AQUATEX

RAIN

PATTERN 62

SATIN

SMOKED GREY

SMOKED BRONZE

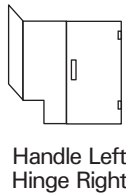
Measurements From: Finished Shower Walls

HINGED DOOR - 3/8" Frameless Glass

DOOR AND PANEL
Standard Height 72" Tall (Max Height 80")

DOOR WITH NOTCHED PANEL & RETURN
Standard Height 72" Tall (Max Height 80")

Please CIRCLE Door/Handle configuration



Handles:

- Pull Handle both sides
- Pull Handle with Towel Bar

- 28" Std. Wide Door
- Custom Door Size Up to 36" See catalog for up charge

TOTAL PRICE

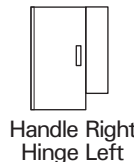
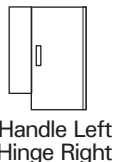
\$ _____

HINGED DOOR - 1/4" Semi-Frameless Glass

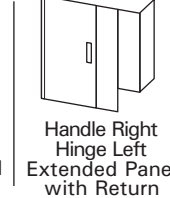
SINGLE DOOR - Up To 36" Wide
Standard Height 73 3/4" Tall (Max Height 78")

DOOR WITH PANEL - Up To 36" Wide
Standard Height 73 3/4" Tall (Max Height 78")

Please CIRCLE Door/Handle configuration



Choose Return Panel Side



Handles:

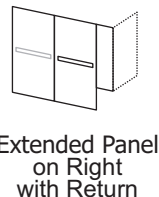
- Pull Handle both sides
- Pull Handle with Towel Bar See catalog for up charge

- 28" Std. Wide Door
- Custom Door Size Up to 36"

BYPASS SLIDING DOOR - Frameless Glass 1/4"

Please CIRCLE Door/Handle configuration

Choose Return Panel Side



Handles:

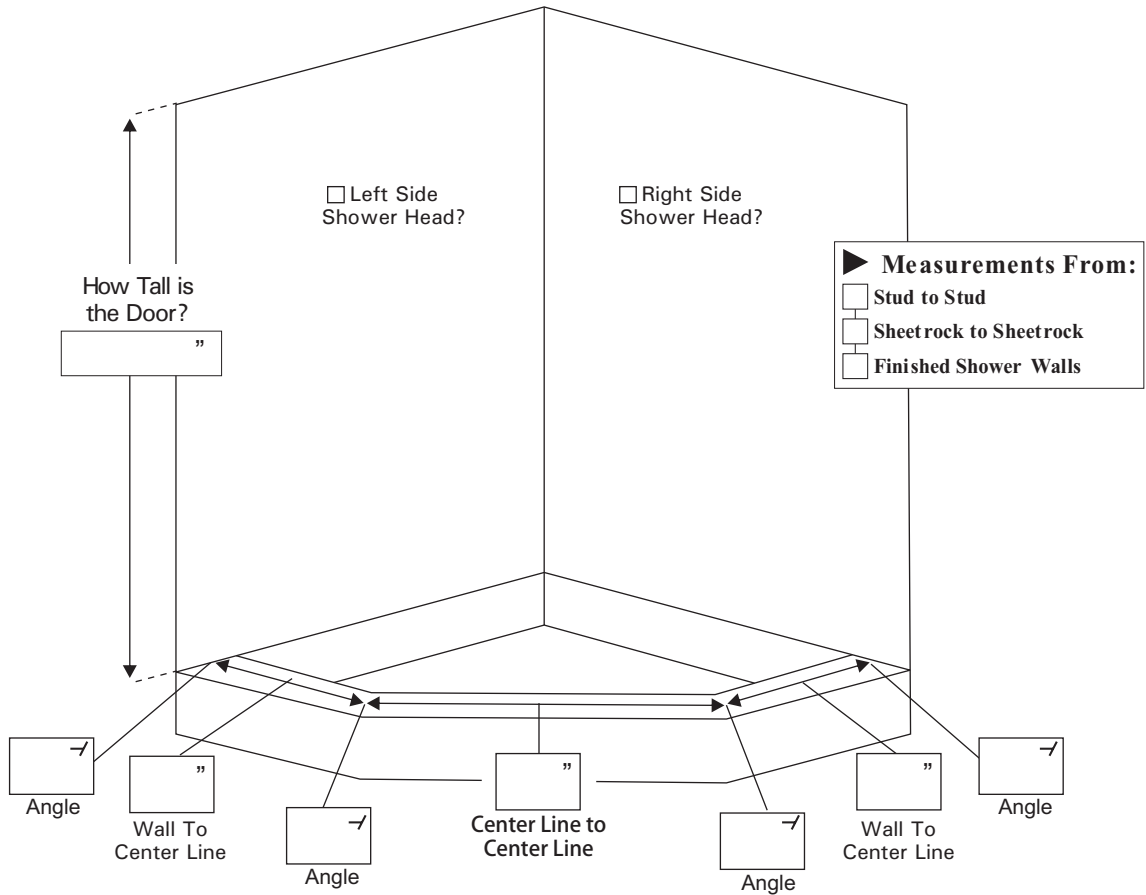
- Two Towel Bars
- Two Knobs
- Towel Bar & Knob
- Knob on LEFT or RIGHT

Your Company: _____ SEPARATE P.O.# _____

Your Name: _____ Your Phone # _____ Your Fax # _____

Date Ordered: ____ / ____ / ____ Install Date: ____ / ____ / ____ Customer Name: _____

HINGED DOOR - 1/4" Semi-Frameless Glass



1 DOOR HEIGHT

Standard Height (73 3/4")

SPECIAL HEIGHT (Max 80")

See catalog for upcharge if taller than normal height

2 FINISH OPTIONS

SILVER FINISH

BRUSHED NICKEL

OIL RUBBED BRONZE

3 GLASS STYLE

CLEAR

AQUATEX

RAIN

PATTERN 62

SATIN

SMOKED GREY

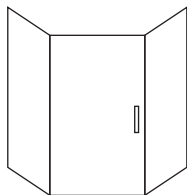
SMOKED BRONZE

TOTAL PRICE

\$ _____

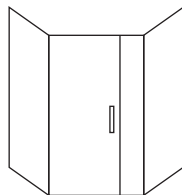
Please **CIRCLE** Door/Handle configuration

Door In Center



Door Only In Center

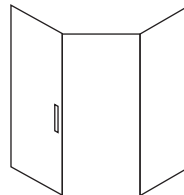
- Handle on Right
 Handle on Left



Door & Panel In Center

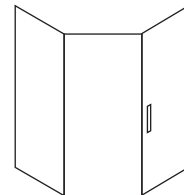
- Handle on Right
 Handle on Left

Door On Side



Door & Panel On Left Side

- Handle on Right
 Handle on Left



Door & Panel On Right Side

- Handle on Right
 Handle on Left

Handles:

- Pull Handle both sides
- Pull Handle with Towel Bar
See catalog for up charge